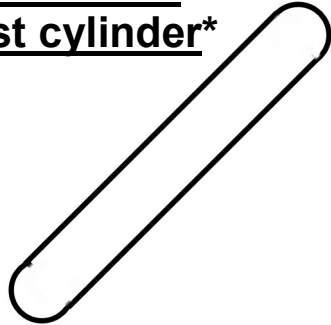
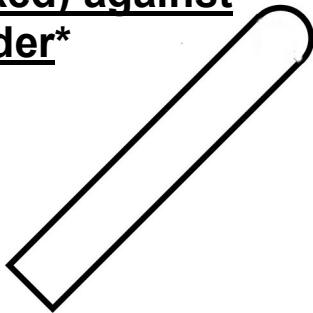


Rounded-Tip Blades for GRAVURE

Double Round—
Use either side
against cylinder*



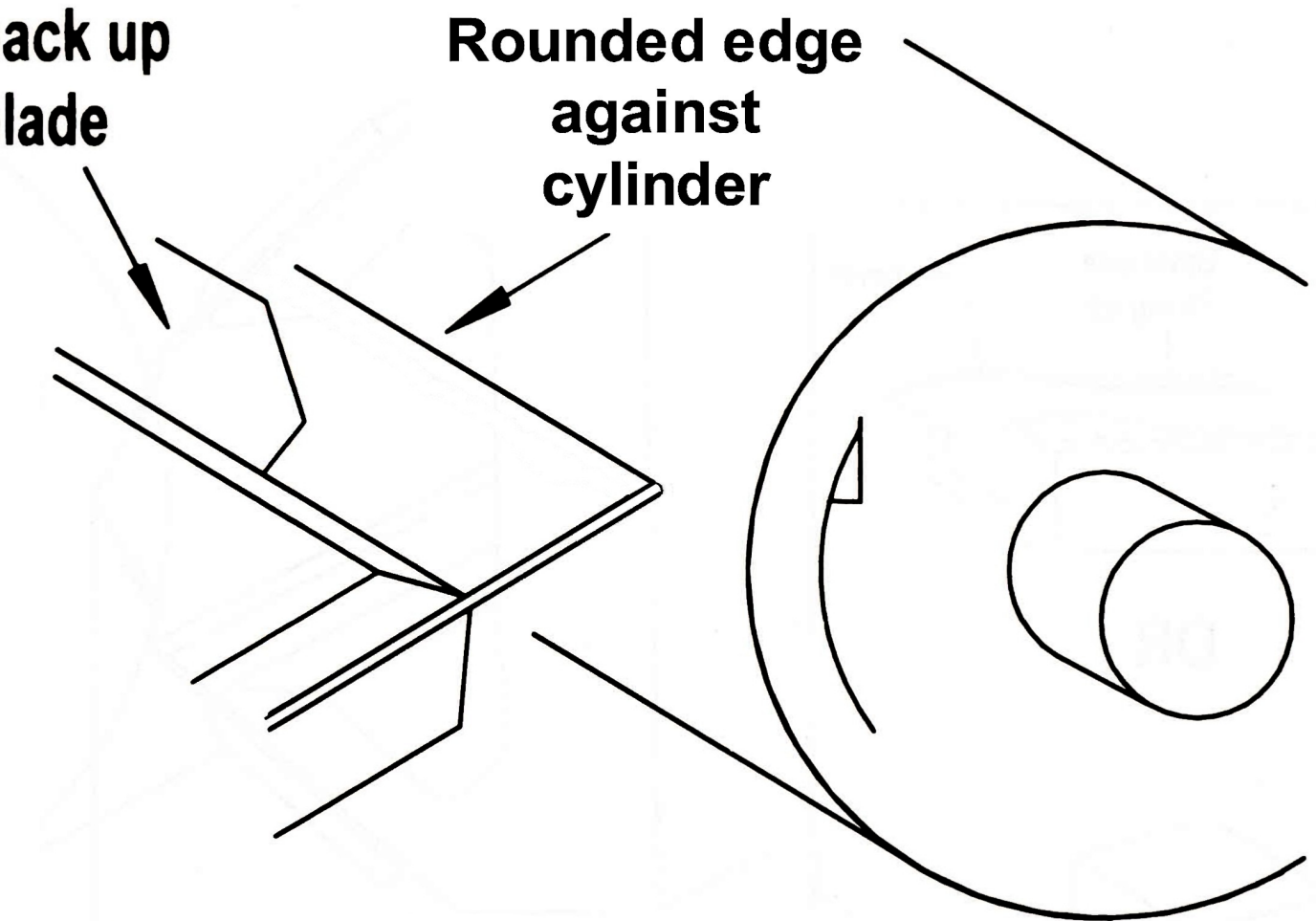
Single Round—
Use round side
(marked) against
cylinder*



*For QRH—QRH is
hardened on one
edge only.
Use Silver-Edged
Side against cylinder

back up
blade

Rounded edge
against
cylinder



Gravure or Coater
("trailing blade")

Rev 1
11/2017