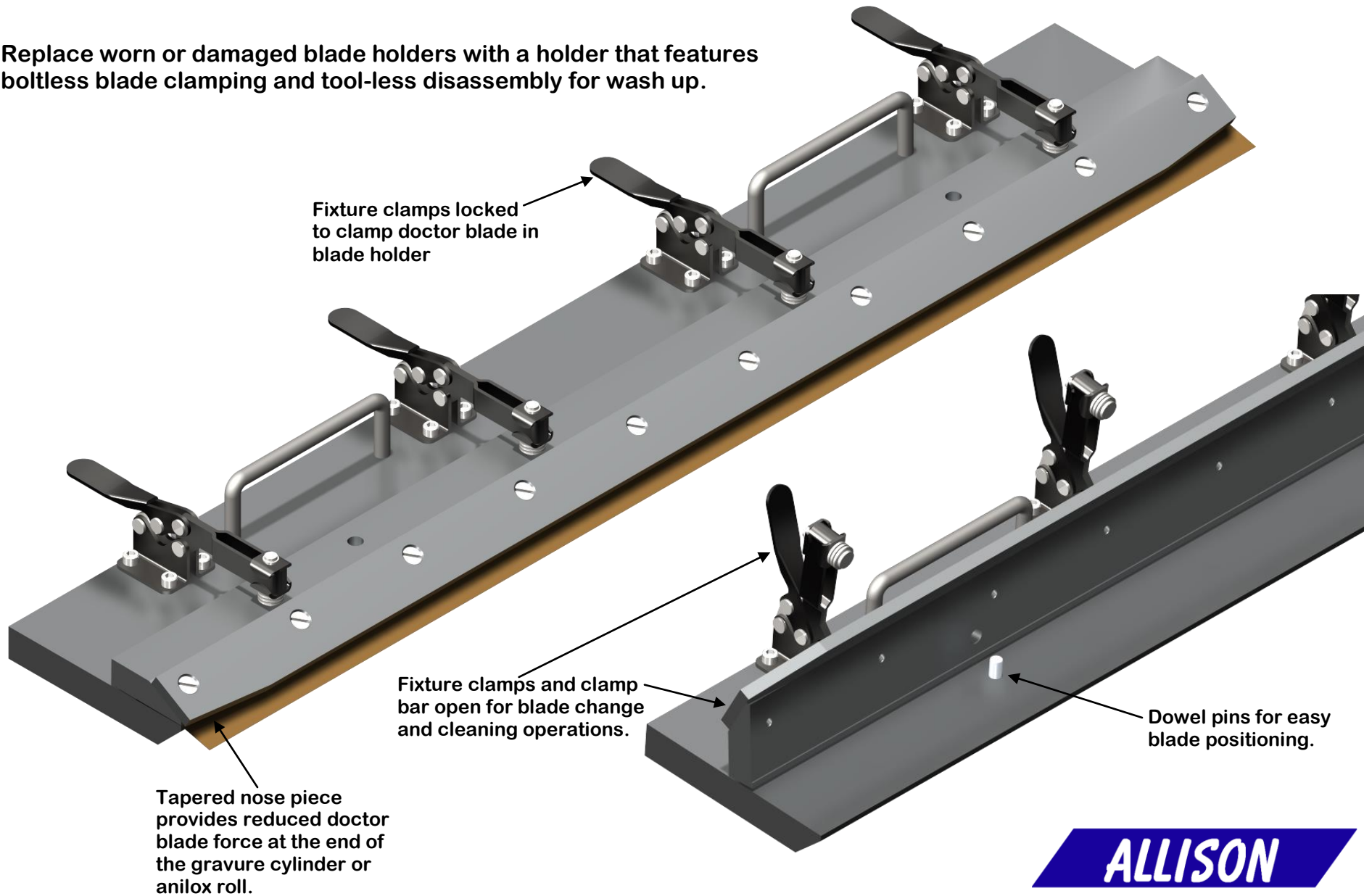


# RETROFIT DOCTOR BLADE HOLDERS

Replace worn or damaged blade holders with a holder that features boltless blade clamping and tool-less disassembly for wash up.



220 Adams St. 856-461-9111  
Riverside, NJ 08075 Fax 856-461-9373  
[www.allisonblades.com](http://www.allisonblades.com)